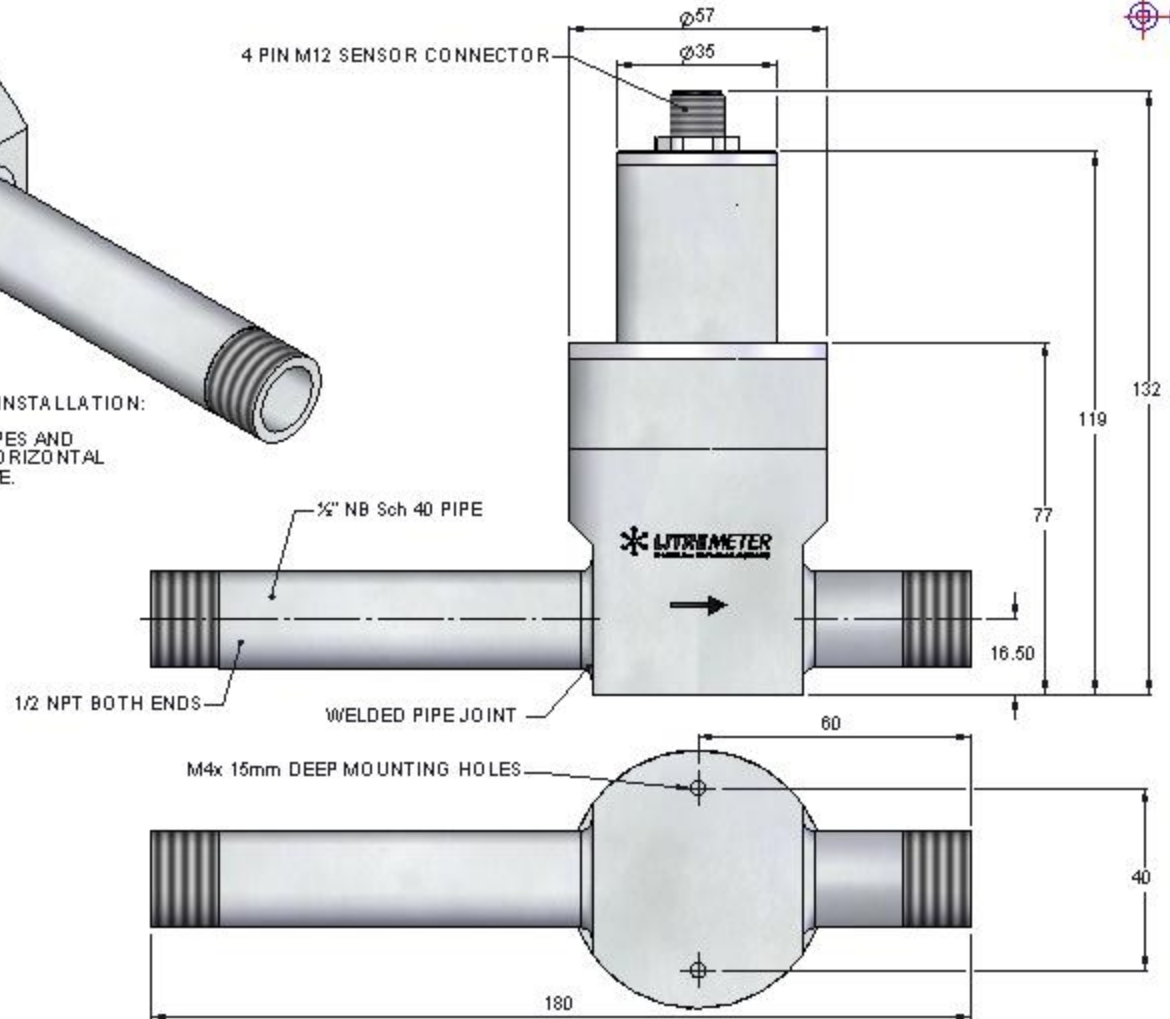




RECOMMENDED INSTALLATION:  
INSTALL WITH PIPES AND  
ELECTRONICS HORIZONTAL  
AS SHOWN ABOVE.

4 PIN M12 SENSOR CONNECTOR



				DRWING BY: <i>AK</i>	MATERIAL:	Checked by: <i>AK</i>	TOLERANCES:	1: 1MM 2: 0.25MM 3: 0.125MM 4: 0.05MM	Drawing No
									C5813
1	T888	DRB		20.10.05	 Litre Meter Ltd 5613 Ribblesdale Ribblesdale, Lancashire B64 6JG Website: <a href="http://www.litre-meter.com">http://www.litre-meter.com</a>		TITLE <b>LMX GENERAL ASSEMBLY</b> INSTALLATION DIMENSIONS		Copy No
Issue	DCMR	Drawn	Appd	Date	Website: <a href="http://www.litre-meter.com">http://www.litre-meter.com</a>		STOCK CODE:		



JLC International  
Phone: 215-340-2650  
Fax: 215-340-3670

948 Lenape Drive Town Center, New Britain, PA 18901  
email: [jlcusa@jlcinternational.com](mailto:jlcusa@jlcinternational.com)  
[www.jlcinstrumentation.com](http://www.jlcinstrumentation.com) & [www.jlcinternational.com](http://www.jlcinternational.com)