



JLC International, Inc
 948 Lenape Drive
 Town Center
 New Britain, PA 18901

Phone: (800)-599-4732
 (215)-340-2650
 Fax: (215)-340-3670

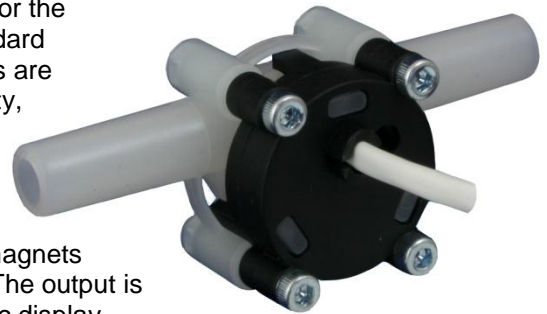
www.jlcinternational.com

jlcusa@jlcinternational.com

Beverage Turbine Flow Meter Series 300

Low flow, chemically resistant flowmeter

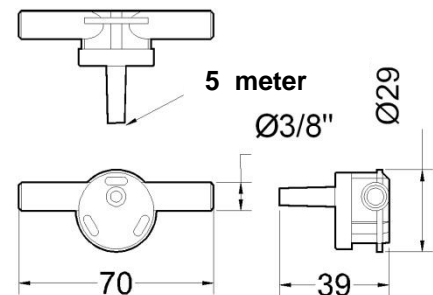
The beverage flowmeter is designed specifically for the drinks dispense industries including beer wines and spirits. They give high performance and competitive pricing with flows ranges up to 10 lpm (2.6 gpm). They have totally non-metallic wetted components which makes them the ideal choice for the metering of food based products and even ultra-pure water. The standard inlet tubes are 3/8" push on pipe connectors, for OEM use alternatives are available. The bearings are made of sapphire for long life and reliability, the body is molded in a choice of thermo-plastics (PVDF as standard) and the 'O' ring seal is typically Viton™ but may be any elastomer.



At the heart of the meter is a precision turbine that rotates freely on robust sapphire bearings and contains chemically resistant ceramic magnets that are detected through the chamber wall by a Hall effect detector. The output is a stream of NPN pulses that are readily interfaced with most electronic display or recording devices. The combination of materials and technology ensures a long life product with reliable operation throughout.

Features

- Manufactured in PVDF with ceramic magnets and sapphire bearings
- Pressure rating 10 bar (145 psi)
- Temperature rating up to 100 °C (212 °F)
- 3/8" Push on pipe connectors, John Guest style
- High accuracy and repeatability
- Pulse output NPN
- Supply 5 to 24 Vdc
- Other cable lengths – up to 10 m (33 ft)



Dimensions in mm

Flow Ranges and Pulse

Model	Range liter/min	Range gal/min	Linearity ± % FS	Frequency Hz	K-factor 1/liter	K-factor 1/gallon	Body color
010/1	0.515.0	0.132.....3.963	0.75	280	1120	4239	beige
010/2	0.5.....10.0	0.132.....2.642	1.0	235	1420	5375	white

Table 1



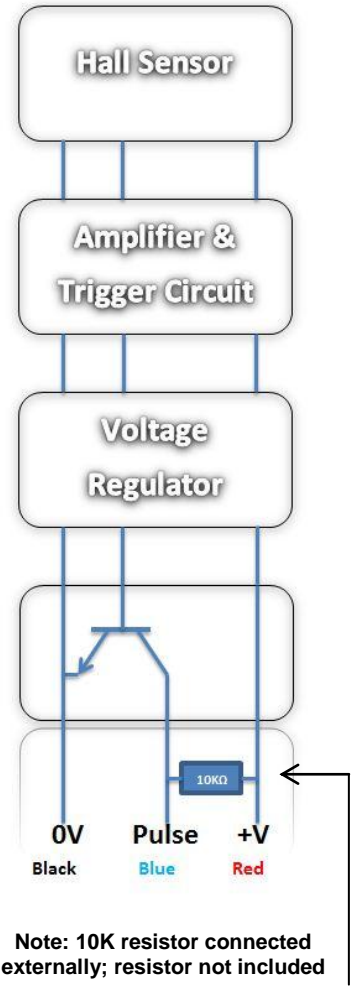
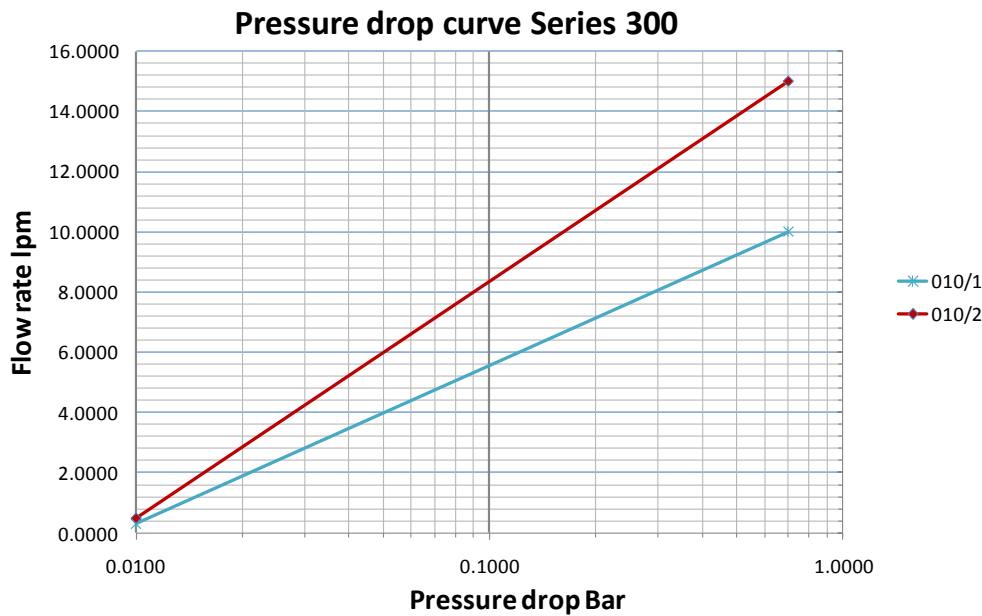
JLC International, Inc
 948 Lenape Drive Phone: (800)-599-4732
 Town Center (215)-340-2650
 New Britain, PA 18901 Fax: (215)-340-3670

www.jlcinternational.com

jlcusa@jlcinternational.com

Technical Specifications

- Linearity: see table 1
- Repeatability: $\pm 0.1\%$
- Pulse output: NPN, Hall Effect
- Pressure rating: 10 bar (145 psi)
- Viscosity / particles: up to 10 cP / less than 90 micron
- Temperature rating: $-20\text{ }^{\circ}\text{C}$ ($-4\text{ }^{\circ}\text{F}$) up to $100\text{ }^{\circ}\text{C}$ ($212\text{ }^{\circ}\text{F}$)
- Body and internals: PVDF, Sapphire, Ceramic magnets
- Seals: Viton O ring standard
- Connections: 3/8" Push on pipe connectors, John Guest style
- Power supply: 5 – 24 Vdc



Model Numbering System

0.5...15.0 l/min	300-010/1	beige body
0.5 ...10.0 l/min	300-010/2	white body