

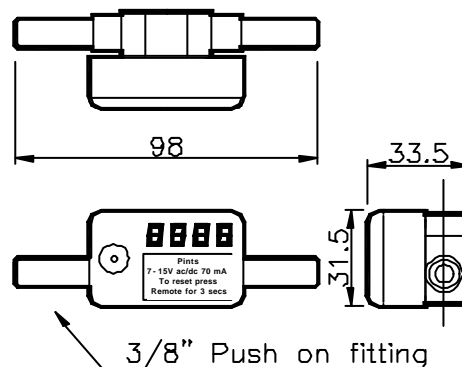
# Product information

## Totaliser data sheet

- 4 Digit totaliser
- Ideal for beer totalising
- High speed count
- IP65 (Nema 4X)
- Non volatile memory
- 7 - 15V ac/dc
- Clear 7mm LED
- One decimal point
- 3/8" Fittings
- 0 - 40°C
- Competitively priced
- Power loss indicator
- Pints or liters display
- Key fob reset
- 0.5 to 10 L/Min
- 0 to 999.9 liters or pints



Designed primarily for beer measurement this indicating meter is a stand alone product that shows the amount of liquid dispensed since the last reset. The unit can only be zeroed using a hand held programmer. This is not just a simple switch but an intelligent instrument in its own right, poking a metal object in the connector on the display unit will not re-set it. This programmer can be made to work with single units or in groups of devices in a number of establishments. The meter must have power to work but should the device be disconnected the display will flash when power is restored and will continue to do so until the unit is re-set using the programmer. This to indicate to an absent operator tampering or temporary power loss. The meter will remember the total at power down and continue incrementing from that point when the power is restored.



### Order code

Displaying beer meter  
310-000

Reset fob  
310-001

Power supply  
310-002