

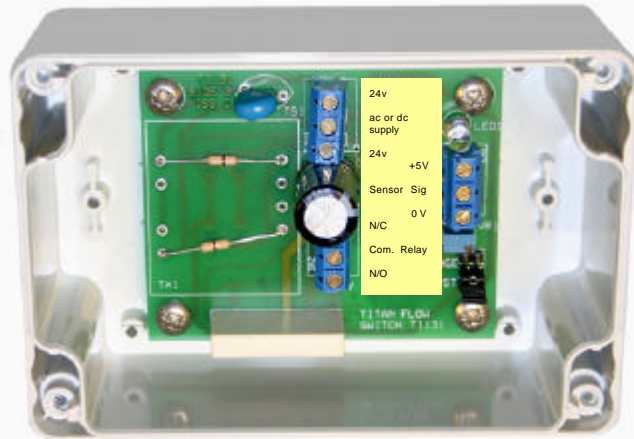
Product information

Flow switch data sheet

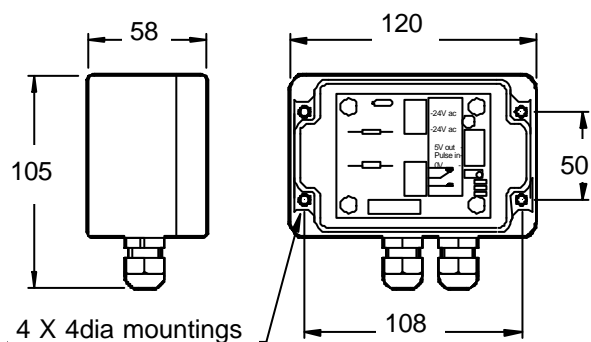
- 5A SPCO relay
- Non volatile memory
- 18-24V dc operation
- Pulse input
- Selectable hysteresis
- 0 - 50°C
- Competitively priced
- Wall mounting
- 4 frequency ranges
- Sensor PSU (5V)
- IP65 enclosure
- Output status LED

Ideal for

- ◆ Cooling water alarms
- ◆ Test rigs
- ◆ Control systems
- ◆ Critical oil flows

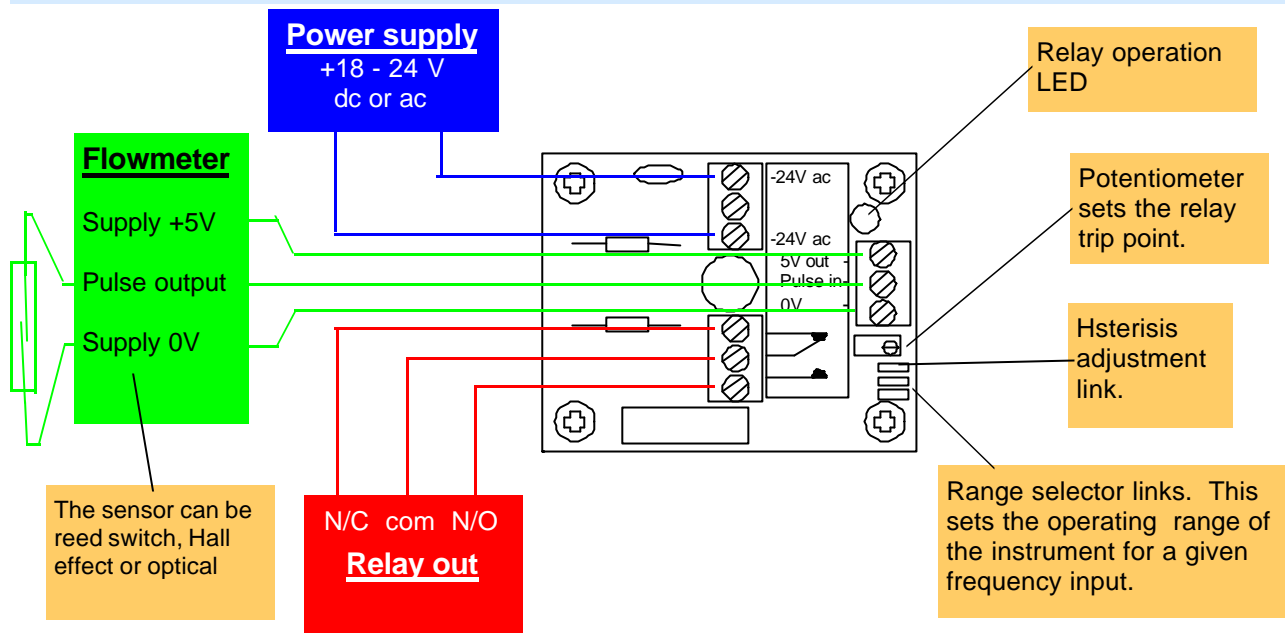


This simple wall, or in some cases, flowmeter mounted instrument gives an adjustable set point with a single pole, voltage free relay output. There are two hysteresis levels to prevent relay flutter at the selected set frequency input. The standard converter has an input frequency range of 0.5 to 5 KHz. Four operating ranges are selectable via a pair of DIL switches these are nominally :- 100, 500 1000 and 5000 Hertz. A special lower range version is available for use with lower frequency inputs such as positive displacement flowmeters, this device operates down to 0.25 Hz. The status LED on the circuit board indicates when the relay has operated. The enclosure is a high impact polycarbonate that seals the unit to IP65 (NEMA 4X). Access to the terminals is normally via a pair of glands on the bottom of the enclosure.



Order code

370-013



Specification

Power	18 - 24 V dc or ac
Output	Single pole change over relay - voltage free
Signal	Pulse input compatible with reed switch, Hall effect or optical detectors
Display	Status LEDs Red for relay output
Enclosure	IP65 (NEMA 4X) High impact polycarbonate
Temp	0°C to +50°C.
Frequency range	0.25/0.5 to 5000 Hz. Selectable. In four ranges adjustable hysteresis
Sensor Supply	5 volts regulated up to 50mA

Calibration.

As with nearly all of our products calibration is performed for you at our factory on equipment that has traceable calibrations to national standards. If for any reason the flow switch requires re-calibration in situ the following procedure may be followed.

1. Select from the chart below the anticipated operating range for the instrument.
2. Select high or low hysteresis.
3. Set the flow you required for the set point or inject a frequency equivalent to this and adjust the potentiometer until the relay just operates.

Frq. Range	Lk1	Lk2	Lk3
100 Hz	off	off	off
500 Hz	on	off	off
1000 Hz	off	on	off
5000 Hz	on	on	off

Link 3 is for the hysteresis and is approximately 25% open and 50% when the link is made.